

**CONGELATORI  
REFRIGERATI**

**FREEZER  
REFRIGERATED**

"PROSTORE 600 CO2"

Remote version

Code	Model	Ref.	Page	Version	Notes
691340	PS04R1FRCO2	a	2,3,4	00	1-DOOR REFRIGERATOR 470LT,0/+10°, PROSTORE,REMOTE,CO2
691342	PS04F1FRCO2	b	2,3,4	00	1-DOOR FREEZER 470LT,-15/-22°,PROSTORE,REMOTE,CO2

Index and pages

Full Door/Porta intera	2
Remote cooling unit/ gruppo remoto	3
Control panel/Pannello di controllo	4
Spare part list	5-6

Rev.1

Grassetto = ultima modifica  
Bold = last change

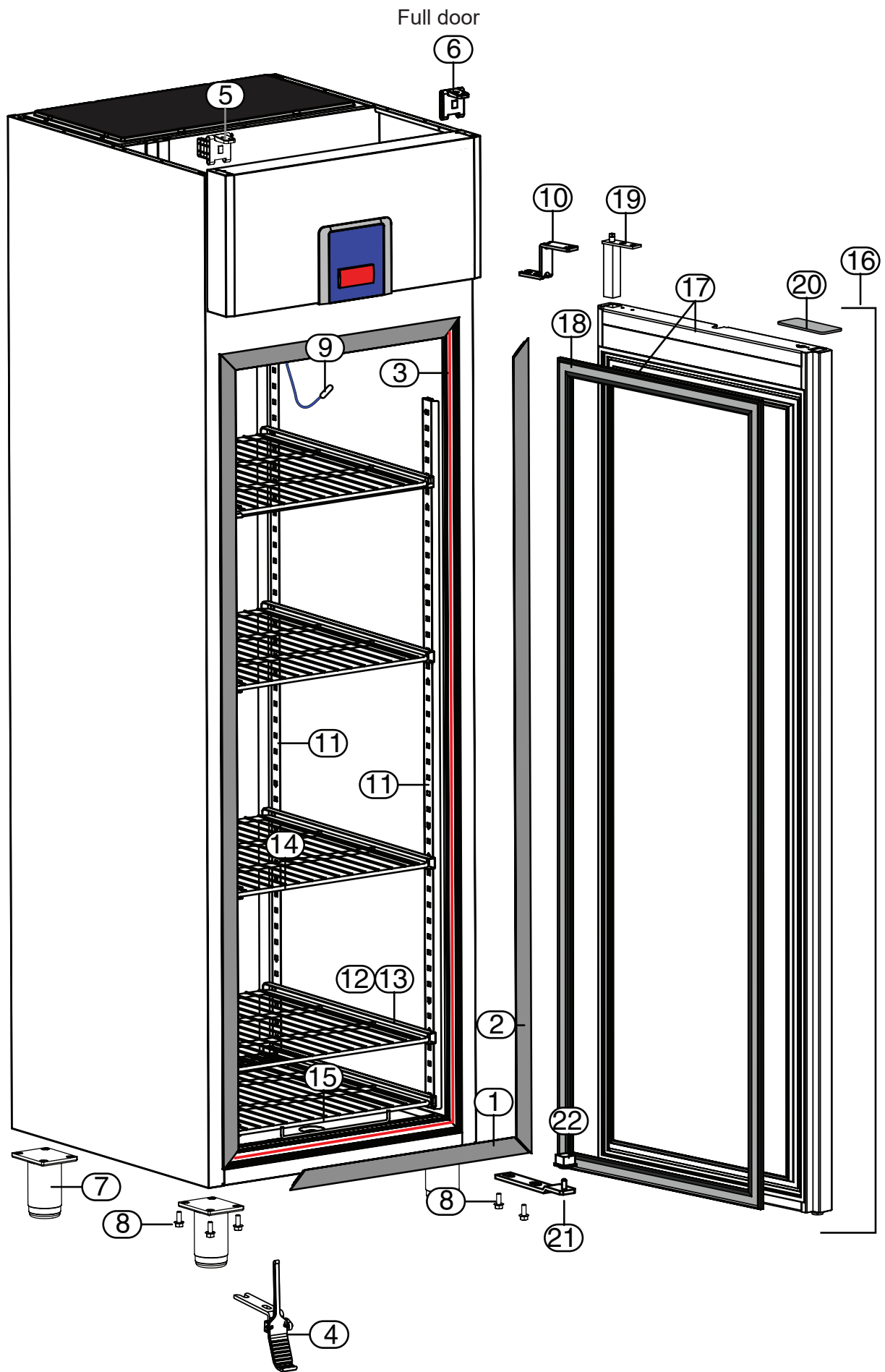
\* Componenti a richiesta  
\* Components on demand

From Ser. Nr.... / Up to Ser. Nr....

Ed. 01 January.-2021

Page: 1 Update 12.2021

Doc. Nr.: **595R62300**



Full door

Grassetto = ultima modifica  
 Bold = last change

\* Componenti a richiesta  
 \* Components on demand

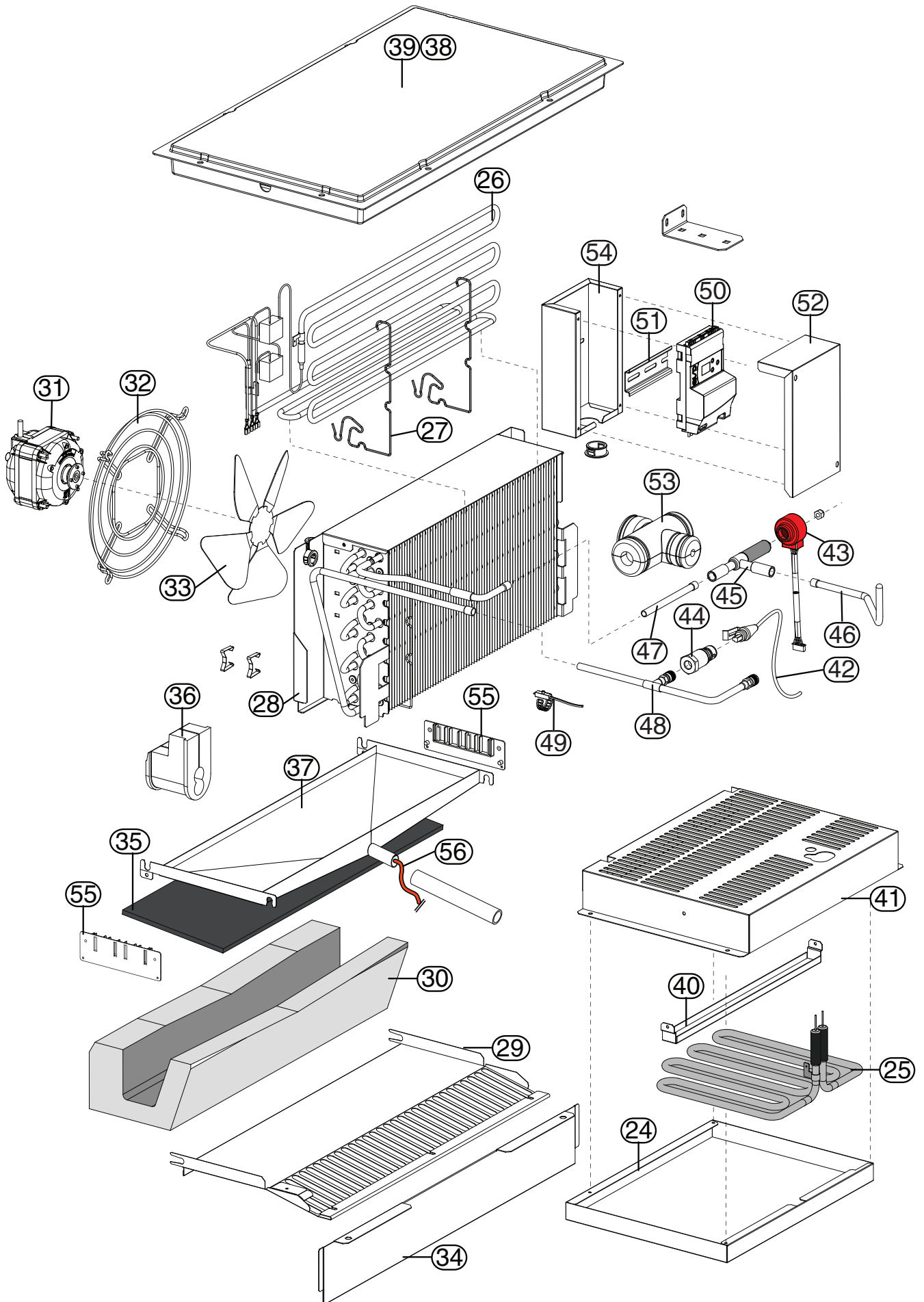
From Ser. Nr.... / Up to Ser. Nr....

Page: 2

Ed. 01 April 2021

Doc. Nr.: **595R62300**

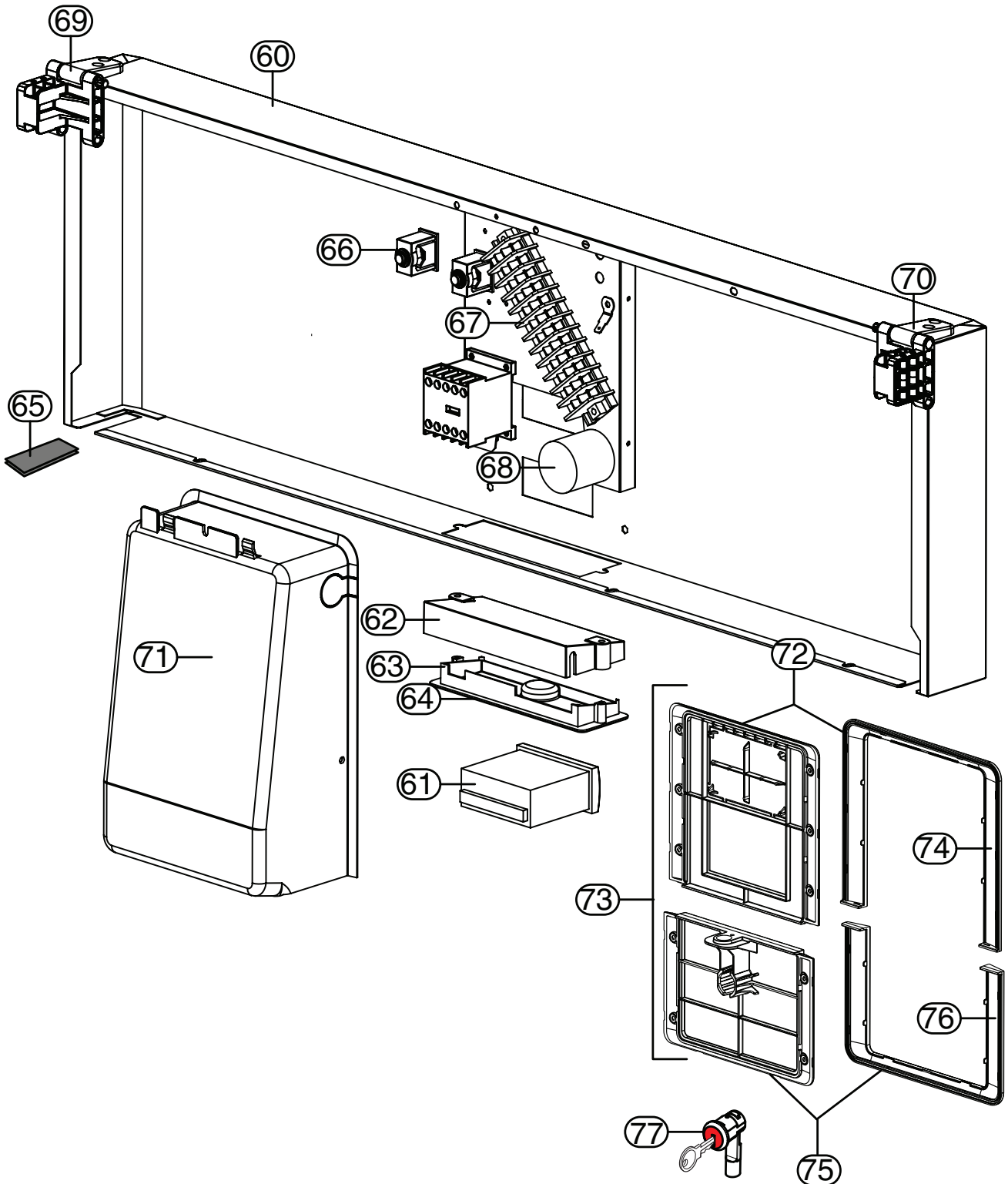
# Remote cooling unit



Grassetto = ultima modifica  
 Bold = last change

\* Componenti a richiesta  
 \* Components on demand

# Control panel



Grassetto = ultima modifica  
 Bold = last change

\* Componenti a richiesta  
 \* Components on demand

From Ser. Nr.... / Up to Ser. Nr....

Pos	Code	Factory code	Descrizione	Description	Ref./Notes
1	097037	832R15300	Cornice orizzontale sup/inf	Upper/lower gasket frame	
2	094092	832R15100	Cornice dx e sx	Vertical gasket frame right /left	
3	094480	617R08600	Cavo riscaldante 5 w/mt	Heater cable 5w/mt	b BT
4	094133	833R27102	Pedale apertura porta Dx	Door pedal (right)	
5	093609	832R10100	Cerniera cruscotto dx	Right hinge for control panel	
6	093610	832R10200	Cerniera cruscotto sx	Left hinge for control panel	
7	093243	541R05001	Piedino	Foot	
8	093245	217555204	Vite 7 X20	Screw 7X20	
9	092173	646R06700	Sonda cella 1500 mm 6x20	Cell probe 1500mm 6x20	
10	094182	505R15902	Staffa superiore	Upper braket door	
11	093249	501R38201	Cremagliera	Rack support	
12	094101	501R91201	Guida sx	Left support	
13	094103	501R91301	Guida dx	Right support	
14	097018	514R21200	Griglia	Shelf	
15	094170	514R15500	Griglia di fondo	Bottom shelf	
<b>16</b>	<b>094660</b>	<b>880R93905</b>	<b>Porta completa con cerniere</b>	<b>Door complete with hinge</b>	<b>a TN</b>
<b>16</b>	<b>096416</b>	<b>880R90205</b>	<b>Porta completa con cerniere</b>	<b>Door complete with hinge</b>	<b>b BT</b>
<b>17</b>	<b>094661</b>	<b>875R24704</b>	<b>Porta con guarnizione</b>	<b>Door with gasket</b>	<b>a TN</b>
<b>17</b>	<b>094821</b>	<b>875R24004</b>	<b>Porta con guarnizione</b>	<b>Door with gasket</b>	<b>b BT</b>
18	094154	548R08500	Guarnizione porta	Door gasket	
19	082219	835704001	Cerniera superiore	Upper hinge door	
20	093271	541R05301	Tappo foro cerniera	Plug door	
21	087792	800732701	Staffa inferiore	Lower braket door	
22	081654	544700601	Boccola per cerniera	Bush for hinge	
24	099818	510719701	Bacinella per serpentina	Water basin conden. hot pipe	
25	094143	617R09800	Resistenza di evaporazione 100W	Evaporation heating elem. 100W	
26	094187	856R23000	Resistenza evaporatore 410W	Evaporator heating element 410W	b BT
27	097017	514R16201	Molla fissaggio resistenza	Spring retaining heating element	b BT
28	097035	830R02F01	Evaporatore per remoto	Evaporator for remote unit	
29	097008	501R90401	Carter interno	Internal protection	
30	097026	555R07400	Coibentazione	Insulation	
31	096995	682R14200	Ventilatore evaporatore ebm	Evaporator motor fan ebm	
32	089770	546709600	Protezione ventola evaporatore	Evaporator fan protection	
33	093783	511R01200	Ventola 200X28	Fan 200x28	
34	097007	501R90101	Copertura frontale	Front cover	
35	094374	548R09200	Isolamento bacinella	Insulation basin	
36	097025	546R30700	Tamponcino uscita tubi	Gasket pipe	
37	094375	833R25201	Bacinella raccolta condensa	Water discharge basin	
38	088499	569703700	Guarnizione copertura evap.	Gasket for evaporator cover	
39	097024	541R07200	Copertura evaporatore	Evaporator cover	
40	097011	502R22500	Cavallotto fissaggio resistenza	Heating element fixing	
41	097009	501R97401	Copertura bacinella remoto	Cover basin	
42	097027	634R01S01	Cavo AWG 3 L=2M per sensore di pressione	Cable AWG 3 wires L=2M for pressure sensor	
43	097034	805R00L01	Statore unipolare da 1M per E2V%U	Unipolar stator	
44	097031	646R06K01	Sensore di pressione 90 bar	Pressure sensor 90 bar	
45	097030	646R06C01	Valvola termostatica	Thermostatic valve	

Grassetto = ultima modifica  
Bold = last change

\* Componenti a richiesta  
\* Components on demand

Pos	Code	Factory code	Descrizione	Description	Ref./Notes
46	097022	515R45300	Tubo ingresso valvola termostatica	Thermostatic valve inlet pipe	
47	097023	515R45400	Tubo valvola termostatica-evaporatore	Thermostatic valve-evaporator pipe	
48	097019	515R45000	Tubo uscita evaporatore con sonda di pressione	Evaporator outlet pipe with pressure probe	
49	097032	646R06L01	Sonda NTC HF L=1.80mt	Sensor NTC HF L=1.80mt	
50	097033	648R02A01	Driver EVD mini 115/230V con display	Driver EVD mini 115/230V with display	
51	097006	639812201	Barra DIN L=90 mm	DIN bar	
52	097014	504R24901	Copertura driver	Driver cover	
53	096314	544R09900	Guscio coibentato	Valve protection	
54	097015	504R25101	Base supporto driver	Driver base support	
55	094333	546R29600	Supporto evaporatore	Evaporator support	
56	093415	617R07801	Resistenza scarico condensa	Discharge heater	a TN
60	097038	883R46700	Modulo pannello comandi completo	Complete control panel	
61	093437	646R10602	Termoregolatore IR 33	Digital control IR33	
62	093387	546R19600	Coperchio supporto scheda led	Cover led light	
63	093810	855R12701	Assieme scheda led	Led light	
64	093390	569R05900	Guarnizione supporto scheda led	Led gasket	
65	093269	541R05401	Tappo fori cerniere	Plug for hinge	
66	094127	63900500	Fermacavo	Wiring stopper	
67	093528	639R09900	Morsettiera	Clamp	
68	096636	694R00502	Filtro antidisturbo	Electrical filter	
69	093609	832R10100	Cerniera cruscotto dx	Right hinge for control panel	
70	093610	832R10200	Cerniera cruscotto sx	Left hinge for control panel	
71	097016	504R26100	Copertura termoregolatore	Back protection for control panel	
72	*	855R09901	Ass. mascherina cruscotto	Template control panel	a TN
72	*	855R10201	Ass. mascherina cruscotto	Template control panel	b BT
73	093380	855R10802	Ass. mascherina, porta e cruscotto	Template door and control panel elux	a TN
73	093383	855R11102	Ass. mascherina, porta e cruscotto	Template door and control panel elux	b BT
74	*	546R20000	Cornice cromata cruscotto elux	Crome frame template control panel	
75	*	855R10502	Ass. mascherina porta elux	Door template elux	
76	*	546R20200	Cornice cromata porta elux	Crome frame template door elux	
77	093345	833R20900	Serratura porta	Lock	

Grassetto = ultima modifica  
 Bold = last change

\* Componenti a richiesta  
 \* Components on demand

Electrolux Professional SpA  
Viale Treviso, 15  
33170 Pordenone, ITALY  
Fax (+39) 0434 380 201  
<https://www.electroluxprofessional.com>  
<https://webgate.electroluxprofessional.com>